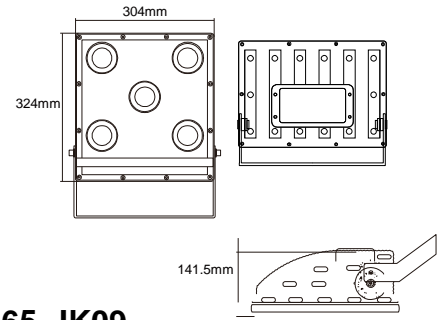


# DELTA LED FLOOD LIGHT 100W/150W



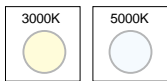
## Specifications

Material: Aluminum  
 Housing Color: Light Grey/ Bronze  
 Driver: Built-in  
 Input Voltage: AC100-277V~50/60Hz  
 Power Factor:  $\geq 0.9$   
 Operating Temperature:  $-30^{\circ}\text{C} \sim +55^{\circ}\text{C}$ ,  $-22^{\circ}\text{F} \sim +131^{\circ}\text{F}$   
 Lifetime:  $\geq 70,000$ hrs  
 Warranty: 5 years

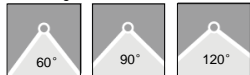


AS/NZS 60598.2.5:2002 AS/NZS 60598.1:2013 E2172

### Color Temperature

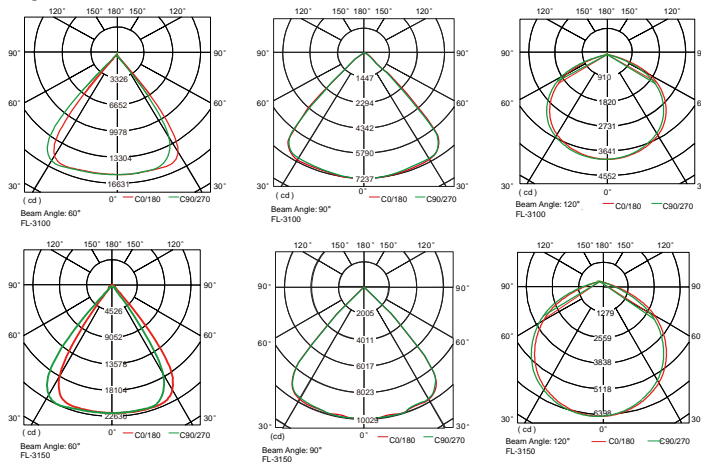


### Beam Angle

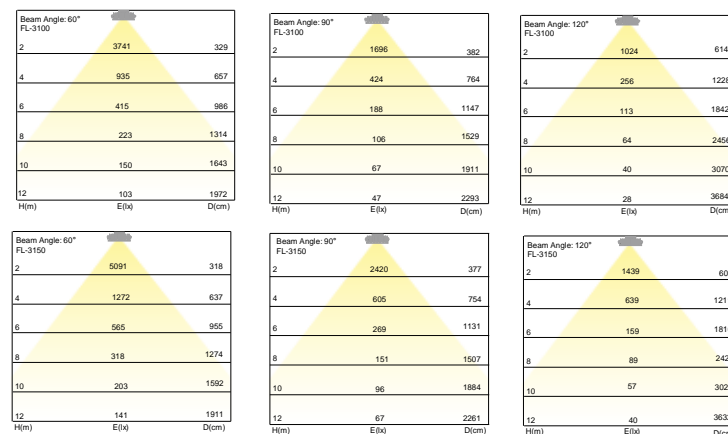


Model No.	Power (W)	Luminous Flux (lm)	Luminous Efficacy (lm/W)	Color Temperature (K)	CRI (Ra)	Beam Angle (°)	Weight (kg/lb)
FL-3100	100	14000	140	5000	$\geq 80$	60	5.11/11.27
FL-3100	100	14200	141	5000	$\geq 80$	90	5.11/11.27
FL-3100	100	14300	143	5000	$\geq 80$	120	5.11/11.27
FL-3150	150	19050	127	5000	$\geq 80$	60	5.11/11.27
FL-3150	150	19350	129	5000	$\geq 80$	90	5.11/11.27
FL-3150	150	20100	134	5000	$\geq 80$	120	5.11/11.27

## Light Distribution Curve



## Illuminance Distribution



www.sonaray.com.au



© 2018 SONARAY AUSTRALIA (LED LIGHTING) PTY. LTD. All rights reserved.  
 All company and product names are trademarks or registered trademarks of their respective owner. Specifications are subject to change without notice.

Version 3.0 Printed date 2018.02.13